

# A New Approximation Algorithm for the Minimum 2-Edge-Connected Spanning Subgraph Problem

Ali Cıvril\*

June 15, 2023

## Abstract

We present a new approximation algorithm for the minimum 2-edge-connected spanning subgraph problem. Its approximation ratio is  $\frac{4}{3}$ , which matches the current best ratio. The approximation ratio of the algorithm is  $\frac{6}{5}$  on subcubic graphs, which is an improvement upon the previous best ratio of  $\frac{5}{4}$ . The algorithm is a novel extension of the primal-dual schema, which consists of two distinct phases. Both the algorithm and the analysis are much simpler than those of the previous approaches.

## 1 Introduction

A graph is 2-edge-connected if it remains connected upon removing any single edge. It is natural to seek such a subgraph of a given graph, as it guarantees a strong connectivity requirement against failures on edges. We thus consider the following fundamental connectivity problem in graphs: Given an undirected simple graph  $G = (V, E)$ , find a 2-edge-connected spanning subgraph of  $G$  with minimum number of edges. We briefly denote this problem by 2-ECSS. It has the following natural LP relaxation, where  $\delta(S)$  denotes the set of edges with one end in the cut  $S$  and the other not in  $S$ . In this LP, there is a variable  $x_e$  for each edge  $e \in E$ , and we require that subsets of  $V$  cut at least two edges, thereby enforcing 2-edge-connectivity of the subgraph we are seeking.

$$\begin{aligned} & \text{minimize} && \sum_{e \in E} x_e && \text{(EC)} \\ & \text{subject to} && \sum_{e \in \delta(S)} x_e \geq 2, && \forall \emptyset \subset S \subset V, \\ & && 1 \geq x_e \geq 0, && \forall e \in E. \end{aligned}$$

The problem remains NP-hard and MAX SNP-hard even for subcubic graphs [3]. Thus, approximation algorithms have been sought. The first result beating the factor 2 came from Khuller and Vishkin [6], which is a  $\frac{3}{2}$ -approximation algorithm. Cheriyan, Sebö and Szigeti [2] improved the factor to  $\frac{17}{12}$ . Vempala and Vetta [9], and Jothi, Raghavachari and Varadarajan [5] claimed to have  $\frac{4}{3}$  and  $\frac{5}{4}$  approximations, respectively. Krysta and Kumar [7] went on to give a  $(\frac{4}{3} - \epsilon)$ -approximation for some small  $\epsilon > 0$  assuming the result of Vempala and Vetta [9]. A relatively recent paper by Sebö and Vygen [8] provides a  $\frac{4}{3}$ -approximation algorithm by using ear decompositions, and mentions that the aforementioned claimed approximation ratio  $\frac{5}{4}$  has not appeared with a complete proof in a fully refereed publication. The result of Vempala and Vetta [9], which was

---

\*Atlas University, Computer Engineering Department, Kagithane, Istanbul Turkey, e-mail: ali.civril@atlas.edu.tr

initially incomplete, very recently re-appeared in [4]. Given this, it is not clear if the ratio  $(\frac{4}{3} - \epsilon)$  by Krysta and Kumar [7] still holds. To the best of our knowledge, the ratio  $\frac{4}{3}$  stands as the current best factor. The problem has also been studied in restricted class of graphs. In particular, a paper by Boyd, Fu and Sun [1] presents a  $\frac{5}{4}$ -approximation algorithm for the class of subcubic bridgeless graphs, which is the best factor thus far for this class of graphs.

We provide a new  $\frac{4}{3}$ -approximation algorithm for 2-ECSS. We also show that its approximation ratio is  $\frac{6}{5}$  on subcubic graphs. The algorithm is essentially based on the primal-dual schema, which is one of the natural approaches for network design problems with connectivity requirements. However, it has not been applied to 2-ECSS so far. The main reason would be the fact that a direct application of the schema yields only an approximation ratio of 2. The main technical contribution of this paper, which we think should be much more widely applicable, is a novel extension of the schema, consisting of two distinct phases. The second phase tries to rectify the large approximation ratio of a direct application of the schema, by considering the inclusion of edges not selected by the first phase, and excluding certain others.

## 2 Preliminaries: The Primal-Dual Schema

In this section we briefly review the naive primal-dual schema applied to 2-ECSS. The following is the dual of the natural LP relaxation for the problem.

$$\begin{aligned}
 & \text{maximize} && \sum_{\emptyset \subset S \subset V} 2y_S - \sum_{e \in E} z_e && \text{(EC-D)} \\
 & \text{subject to} && \sum_{S: e \in \delta(S)} y_S \leq 1 + z_e, && \forall e \in E, \\
 & && y_S \geq 0, && \forall \emptyset \subset S \subset V, \\
 & && z_e \geq 0, && \forall e \in E.
 \end{aligned}$$

A typical application of the primal-dual schema for 2-ECSS is given in Algorithm 1. The idea is to synchronously and uniformly increase the dual variables corresponding to minimal violated

---

### Algorithm 1: PRIMAL-DUAL( $G(V, E)$ )

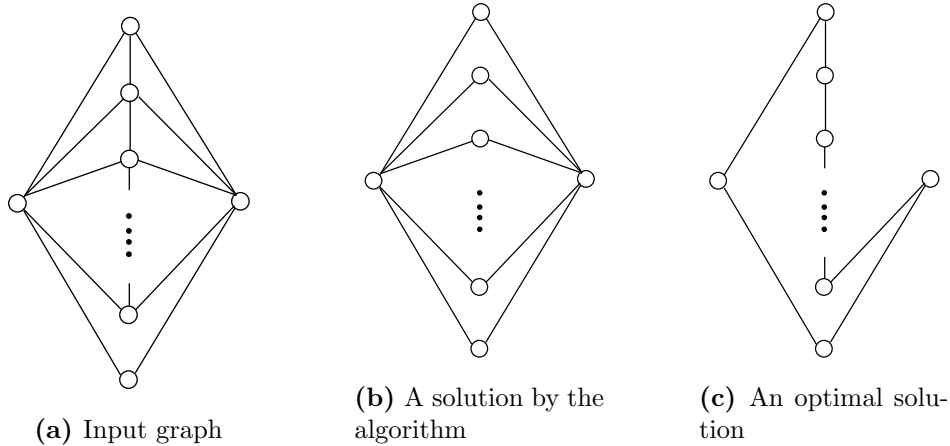
---

```

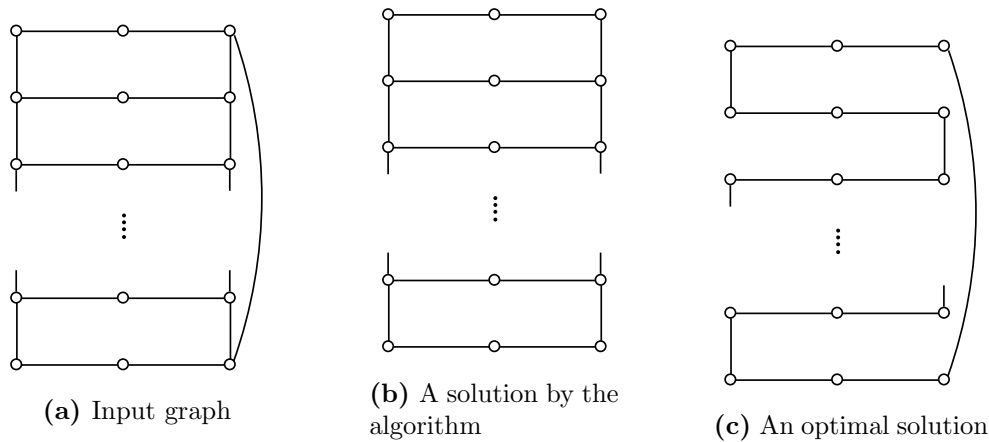
1 // Dual growth
2  $F \leftarrow \emptyset$ 
3 repeat
4   | Synchronously and uniformly increase the dual variables  $y_S$  in (EC-D) corresponding to
   | minimal violated cuts  $S$  until the first dual constraint corresponding to an edge  $e$ 
   | becomes tight
5   | Include all the tight edges  $e$  into the solution  $F$ 
6 until  $F$  is feasible;
7 Let  $F = \{e_1, \dots, e_m\}$  in the order of inclusion
8 // Reverse-delete
9 for  $i = m$  downto 1 do
10  | if  $F \setminus \{e_i\}$  is feasible then
11  |   |  $F \leftarrow F \setminus \{e_i\}$ 
12 return  $F$ 

```

---



**Figure 1:** A tight example for the naive primal-dual algorithm



**Figure 2:** A tight example for the naive primal-dual algorithm on subcubic graphs

cuts. These are cuts whose primal constraints are violated and that are minimal with respect to inclusion. It is clear that at the beginning they are defined via the singleton vertices of the graph. One usually conceives the increased dual variables as “moats” growing along the edges, so we also talk about growing duals. The growth of the duals continue until the dual constraint of an edge  $e$  becomes tight, in which case  $e$  is included into the solution, and new minimal violated cuts are computed. The iterations repeat until the solution is feasible. For 2-ECSS, which has unit weights on all the edges, the dual constraints of all the edges become tight when the dual values of all the singleton cuts reach the value  $1/2$ , since an edge is incident to two vertices and the moats around these vertices touch each other at time  $1/2$ . In this case all the edges are included into the solution, and there are no more iterations. The schema then performs the so-called reverse-delete operation to ensure that there are no redundant edges in the solution, where by redundant we mean an edge whose removal does not violate feasibility. Namely, it considers the edges in the reverse order of their inclusion, and deletes an edge provided that the solution remains feasible. Since all the edges are included at the same time in our case, the inclusion order might be arbitrary. As a result, there is no clever way of ensuring a cheap solution for 2-ECSS via only the reverse-delete operation. In particular, a direct application of the primal-dual schema as explained here can result in an approximation factor as large as 2, which is depicted in Figure 1. The algorithm might select all

the edges incident to the left-most and the right-most vertex, resulting in a total cost of  $2n$ . The optimal solution has cost  $n + 2$ .

Note also that taking all the edges in a subcubic graph results in the trivial approximation factor  $\frac{3}{2}$ . We will start with a slightly better solution, provided by the primal-dual schema. However, even in this case the approximation ratio cannot be better than  $\frac{4}{3}$  as shown in Figure 2.

### 3 Approximating 2-ECSS via the Enhanced Primal-Dual Schema

The main algorithm consists of two phases. The first phase is the primal-dual schema described in the previous section. In order to describe the second phase and analyze it, we first introduce some terminology. Given a vertex  $v \in V$  and a feasible solution  $F$ , the degree of  $v$  on  $F$  is denoted by  $\deg_F(v)$ . The vertex  $v$  is called a *degree- $d$  vertex* on  $F$  if  $\deg_F(v) = d$ , and a *high-degree vertex* on  $F$  if  $\deg_F(v) \geq 3$ . If  $F$  is clear from the context, we do not pronounce it. For a path  $P = v_1v_2 \dots v_{k-1}v_k$ ,  $v_1$  and  $v_k$  are the *end vertices* of  $P$ , and all the other vertices are the *inner vertices* of  $P$ . A path whose inner vertices are all degree-2 vertices on  $F$  is called a *plain path* on  $F$ . A maximal plain path is called a *segment*. The length of a segment is the number of edges on the segment. If the length of a segment is  $\ell$ , it is called an  $\ell$ -*segment*. A 1-segment is also called a *trivial segment*. We frequently associate a trivial segment with the single edge it contains. For  $\ell > 1$ , an  $\ell$ -segment is called a *non-trivial segment*. A non-trivial  $\ell$ -segment with  $\ell \leq 3$  is called a *short segment*, otherwise a *long segment*.

#### 3.1 Intuition for the Algorithm and the Analysis

Before describing the algorithm formally, we find it convenient to give intuition about the operations to be performed in the second phase together with the main idea of the analysis leading to the approximation ratio. Let  $F^1$  be the solution returned by the first phase. The second phase of the algorithm considers modifications on the running solution  $F$ , which is initialized to  $F^1$ . Modifications are performed via what we call *improvement operations*. The basic idea is to consider certain edges not in  $F$ , which can possibly improve the cost of the solution, or switch to a solution amenable to analysis. To this aim, we consider the set  $H$ , which is initialized to  $E \setminus F$ . An edge in  $e = (u, v) \in H$  is called a *critical edge* if  $u$  is an inner vertex of a short segment and  $v$  is an inner vertex of another short segment. There are three types of improvement operations performed in a certain order, and we provide extreme examples for the justification of their application.

Consider the example given in Figure 1, and suppose that the first phase selects the set of edges with a total cost of  $2n$  as in Figure 1b. In the second phase we consider the critical edges between the short segments, and check if including a critical edge together with excluding at least two edges from  $F$  (thus improving the cost of the solution) maintains feasibility. Notice that with this approach, all the critical edges in the example lead to improvements in the cost, and we can attain the optimal solution in Figure 1c. Suppose now that in the given example there are no critical edges, i.e.,  $H$  is empty. The main rationale of our analysis is that in this case we can construct a large dual implying that the solution is not far from optimal. In particular to the example, we can define a  $y$  dual value of 1 around the inner vertices of all the 2-segments, thus “covering” all the edges optimally. In other words, the total dual value is  $2n$ , which is equal to the cost (See the dual program (EC-D) again). Notice that this is possible due to the non-existence of critical edges. Otherwise, the dual variables  $y$  we have defined force the dual variables  $z$  corresponding to these edges to positive values to maintain feasibility, thereby decreasing the dual value down to a constant.

The aforementioned type of operation is not enough to argue the approximation ratio. Let us restate that our analysis essentially relies on making sure that we utilize all the critical edges via this operation, or there are no critical edges so that we can construct a large dual. This requires an additional and more incisive operation. Consider the example given in Figure 3, where we have two 2-segments with both end vertices identical. The algorithm cannot perform the aforementioned operation, as the inclusion of the critical edge  $e$  together with a possible exclusion of two other edges in  $F$  violates feasibility. However, there might exist an optimal solution containing  $e$  together with another edge  $f$  as shown in the figure. In this case we perform another type of operation, which considers all such possible edges  $f$ . We check if including  $e$  and  $f$  and excluding some other edges in  $F$  maintains feasibility (by not necessarily improving the cost of the solution). The main reason for this operation is to ensure that we switch to a solution  $F$  for which there are no critical edges in  $E \setminus F$ . We will then show that there always exists an optimal solution not containing any critical edge  $e \in H$ , so that we can disregard these edges and safely define a large dual as described above.

The two types of operations defined so far are still not enough to define a large dual value in our analysis: There might exist a large number of trivial segments. Consider the example given in Figure 2, and suppose that the first phase selects the set of edges in Figure 2b. Even if we can define  $y$  dual variables of value 1 around the inner vertices of the 2-segments, their total value is  $2n$ , whereas the cost of the solution is roughly  $4n$ . The reason is that we cannot use the end vertices of the trivial segments to define  $y$  dual variables, since they are adjacent to the inner vertices of the 2-segments. We can however define  $y$  dual variables corresponding to the cuts, which disconnects the whole graph horizontally by cutting two facing trivial segments on both sides. This is indeed what we will formally do in our analysis, which necessitates that there are no other trivial segments cut by these duals. Thereby comes the final type of operation we perform: At the end of the algorithm, we check if including a trivial segment from  $H$  and excluding at least two from  $F$  maintains feasibility. Notice that with this operation, the algorithm finds the optimal solution in Figure 2c by including the right-most trivial segment with the curved edge.

Given all these operations, we ensure that short segments and trivial segments are optimally covered in a certain sense. There remains the long segments, with the shortest of them being a 4-segment. The approximation ratio arises due to the fact that for any 4-segment, there are at least 3 edges incident to its inner vertices in any solution.

### 3.2 Formal Definition of the Algorithm

The algorithm is stated formally in Algorithm 2. It first iterates over the critical edges  $e$  in  $H$ . Initially, all such edges are deemed *non-futile*. In an improvement operation of Type I, the algorithm considers  $F' = F \cup \{e\}$ . It then performs a deletion operation on  $F'$ , considering the deletion of edges in the order  $F, e$ . More precisely, it checks each edge one by one in this order, and removes an edge if its removal does not violate feasibility. The solution  $F$  is updated to the result of this operation provided that there is an improvement in the cost. Note that this is a more formal statement of the previously mentioned operation: checking if including  $e$  and excluding at least two edges from  $F$ , improving the cost and by also maintaining feasibility. In the rest of the paper, we refer to the deletion operation.

If the improvement operation of Type I does not result in a modification of  $F$ , an improvement operation of Type II is performed. The algorithm considers  $F' = F \cup \{e, f\}$ , where  $e$  is the same critical edge from the improvement operation of Type I, and  $f$  is another edge in  $H$ . A deletion operation on  $F'$  follows, considering the deletion of  $e$  and  $f$  at the end. The solution  $F$  is updated to the result of this operation given that  $e$  and  $f$  remains in  $F'$ , so that there is an edge deleted

---

**Algorithm 2:** 2-ECSS( $G(V, E)$ )

---

```
1 // The first phase
2  $F^1 \leftarrow \text{PRIMAL-DUAL}(G(V, E))$ 
3 // The second phase
4  $F \leftarrow F^1$ 
5  $H \leftarrow E \setminus F$ 
6 Mark all  $e \in H$  as non-futile
7 while there exists a non-futile critical edge  $e \in H$  do
8   // Improvement operation of Type I
9    $F' \leftarrow F \cup \{e\}$ 
10  futile_flag  $\leftarrow$  TRUE
11  Perform deletion on  $F'$  considering the edges in the order  $F, e$ 
12  if  $|F'| < |F|$  then
13     $F \leftarrow F'$ 
14     $H \leftarrow E \setminus F$ 
15    futile_flag  $\leftarrow$  FALSE
16  else
17    // Improvement operation of Type II
18    for all edges  $f \in H$  with  $f \neq e$  do
19       $F' \leftarrow F \cup \{e, f\}$ 
20      Perform deletion on  $F'$  considering the edges in the order  $F, e, f$ 
21      if  $e$  and  $f$  remains in  $F'$  AND  $e$  is incident to inner vertices of a segment then
22         $F \leftarrow F'$ 
23         $H \leftarrow E \setminus F$ 
24        futile_flag  $\leftarrow$  FALSE
25        Exit the for loop
26  if futile_flag is TRUE then
27    | Mark  $e$  as futile
28 while there is an edge  $e \in H$  do
29   // Improvement operation of Type III
30    $F' \leftarrow F \cup \{e\}$ 
31    $H \leftarrow H \setminus \{e\}$ 
32   Perform deletion on  $F'$  considering the edges in the order  $F, e$ 
33   if  $|F'| < |F|$  then
34   |  $F \leftarrow F'$ 
35 return  $F$ 
```

---

from  $F$ , and  $e$  becomes an edge between the inner vertices of a segment. If both of the improvement operations of Type I and Type II do not result in a modification of  $F$ , we declare  $e$  as *futile*.

After the first set of iterations over the critical edges are completed, the algorithm iterates over the edges in  $H$  to perform improvement operations of Type III. For an edge  $e \in H$ , it performs a deletion operation on  $F' = F \cup \{e\}$  by considering the deletion of  $e$  at the end. The solution  $F$  is updated to the result of this operation if it decreases the cost.

### 3.3 Termination of the Algorithm and the Running Time

Efficient implementations of the algorithm is not the focus of this paper. We only show that it runs in polynomial time. The running time of the first phase, which uses the standard primal-dual schema is known to be polynomial, so we only describe the second phase. We first show that the first while loop of the second phase terminates.

**Proposition 1.** *After  $|E|$  iterations of the first while loop of the second phase, there is no non-futile critical edge in  $H$ .*

*Proof.* Let  $e \in H$  be a non-futile critical edge at the beginning of an iteration. If  $e$  does not lead to any modification by the end of an iteration, it is declared futile, thus will not be considered in later iterations. If  $e$  is included into  $F$  via an improvement operation of Type I, then it is only incident to inner vertices of a segment formed after the operation, i.e., its end vertices have degree 2 on  $F$ . Similarly, if it is included into  $F$  via an improvement operation of Type II, again by definition  $e$  is only incident to inner vertices of a newly formed segment. This implies that  $e$  is not deleted in a later deletion operation, hence does not appear in  $H$  again.  $\square$

In a deletion operation, the algorithm checks for feasibility, which can be performed by removing each edge one by one and testing connectivity of the residual graph, taking  $O(|E|(|V| + |E|))$  time using a standard graph traversal algorithm. Recall that in an improvement operation of Type II, the algorithm iterates over all the edges in  $H$ , which is of size  $O(|E|)$ . Considering the proposition above, the total running time of the algorithm is then  $O(|E|^3(|V| + |E|))$ , which subsumes that of the second while loop.

## 4 Proof of the Approximation Ratios

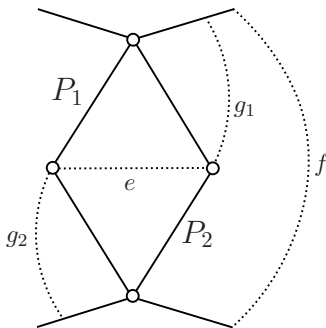
We start with the following important observation.

**Lemma 2.** *Consider  $H$  at the end of the first while loop of the second phase. For the purpose of proving the approximation ratio of the algorithm, we may assume without loss of generality that there exists an optimal solution containing no critical edge  $e \in H$ .*

*Proof.* We show that if any optimal solution contains such an edge, it suffices to argue the approximation ratio on a modified instance, which does not contain that edge. In particular, we will replace the short segments around  $e$  with trivial segments to argue this. We consider two short segments  $P_1$  and  $P_2$  at the end of the first while loop such that there is a critical edge between an inner vertex of  $P_1$  and an inner vertex of  $P_2$ . In what follows, we will also be referring to the running solution  $F$  at the end of the first while loop.

### Case 1: $P_1$ and $P_2$ are both 2-segments

**Case 1a: Both end vertices of  $P_1$  and  $P_2$  are identical** Suppose any optimal solution contains  $e$  together with  $g_1$  and  $g_2$  as shown in Figure 3, where  $g_1$  is incident to one end vertex of  $e$  and  $g_2$  is incident to the other end vertex of  $e$  (The other end vertices of  $g_1$  and  $g_2$  are immaterial. In particular, these might coincide with the edges of  $P_1$  and  $P_2$ , but this does not affect the argument). Then there must exist a path between the other end vertices of  $g_1$  and  $g_2$  in any optimal solution such that the path does not contain  $e$ , but contains another edge  $f$  not belonging to  $P_1$  and  $P_2$ . Otherwise, no optimal solution contains  $e$ , as it becomes redundant. Given this, if  $f$  is already in  $F$ , then an improvement operation of Type I must have included  $e$  into  $F$ ,



**Figure 3:** Contradictions to the existence of a critical edge in an optimal solution: Two 2-segments with both end vertices identical

deriving a contradiction. If  $f$  is not in  $F$ , then an improvement operation of Type II must have included  $e$  and  $f$  into the solution, again deriving a contradiction. Notice that this operation must have indeed been performed, as  $e$  is the middle edge of a 3-segment after the operation.

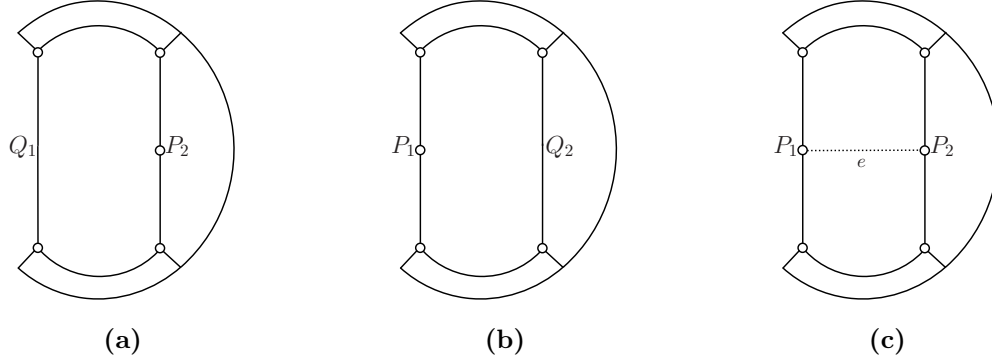
**Case 1b: Both end vertices of  $P_1$  and  $P_2$  are distinct** The argument for the case in which exactly one of the end vertices are identical subsumes this one, so we do not consider it separately. We perform the following operations on the input graph  $G$  and the solution  $F$ . Remove one of the 2-segments from  $F$ , satisfying the first condition stated below, and connect the end vertices of a removed 2-segment with a new edge to obtain  $F'$ . Note that this new edge forms a trivial segment  $Q$ . Remove all the edges incident to the inner vertex of the removed 2-segment (which includes  $e$ ) from  $G$ , and include  $Q$  to obtain  $G'$ . For the correctness of our argument, we crucially require the following for  $Q$ , when the algorithm is executed on  $G'$ . In this case we say that  $Q$  is non-redundant, otherwise redundant.

1. There exists an execution of the algorithm on  $G'$  such that the trivial segment is in the running solution by the end of the first while loop.
2. An improvement operation of Type III does not remove  $Q$ .

We can see that there exists a trivial segment that we can replace with either  $P_1$  or  $P_2$ , which satisfies the first property by observing the following. Assume when we replace  $P_1$  with a trivial segment  $Q_1$  as described above and  $P_2$  remains as is,  $Q_1$  does not remain in the solution, i.e., its removal does not violate feasibility (See Figure 4a). Assume further that when we replace  $P_2$  with a trivial segment  $Q_2$  as described above, and  $P_1$  remains as is,  $Q_2$  does not remain in the solution (See Figure 4b). These two assumptions together contradict an improvement operation of Type I: In this case  $e$  would have already been included into the solution when the algorithm is executed on  $G$ , so that  $e \notin H$ . An illustration is given in Figure 4c. Thus, either  $P_1$  or  $P_2$  can be replaced by a trivial segment that remains in the solution.

Consider now the situation before the improvement operations of Type III are performed. Excluding  $P_1$  and  $P_2$  from  $F$ , assume that at least one of the remaining components of the residual solution is 2-edge-connected as shown in Figure 5a. This derives a contradiction to an improvement operation of Type II, which would have included  $e$  and  $f$  into the solution. Thus, none of these components is 2-edge-connected as shown in Figure 5b (Here we assume without loss of generality the existence of an edge  $f$  as shown in the figures. Otherwise, the trivial segment is clearly not removed by an improvement operation of Type III). In this case suppose we replace  $P_2$  with a





**Figure 4:** Contradictions to the existence of a critical edge in an optimal solution: Two 2-segments with distinct end vertices

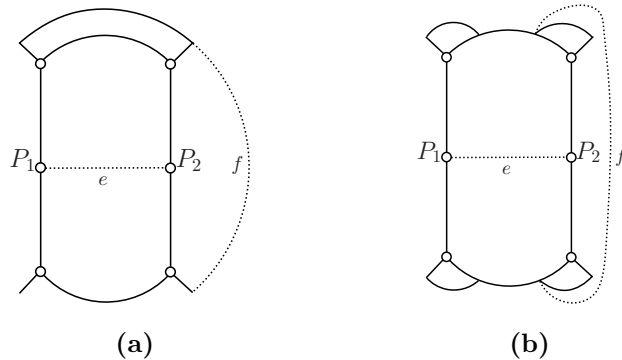
trivial segment  $Q_2$ , and assume  $Q_2$  is excluded from the solution in an improvement operation of Type III, upon inclusion of  $f$ . This implies that there must be another trivial segment  $Q_3$  excluded from the solution. This also derives a contradiction. Because  $Q_3$  is already redundant by the end of the first while loop. Notice that it cannot be a trivial segment replacing a 2-segment, too, since we replace any 2-segment with a trivial segment if it is not redundant by the end of the first while loop, and if it can be removed by an improvement operation of Type III, we get the contradiction that it should already be redundant by the end of the first while loop. These are depicted in Figure 6 in which we show the lower part of the graph in Figure 5b. The redundant edges are shown inside dotted ovals, and the paths are shown in wavy lines in the lower part of the figure. Overall, there is no such  $Q_3$  and  $f$ , and the trivial segment  $Q_2$  replacing  $P_2$  remains in the solution.

Having performed the operation of replacing a 2-segment with a trivial segment on  $F$  and  $G$ , denote the cost of an optimal solution on  $G$  and  $G'$  by  $OPT(G)$  and  $OPT(G')$ , respectively. We then have  $OPT(G) \geq OPT(G') + 1$ . Note also that  $|F| = |F'| + 1$ , since the newly introduced trivial segment is in the solution. So  $\frac{|F'|}{OPT(G')} \leq \alpha$  implies

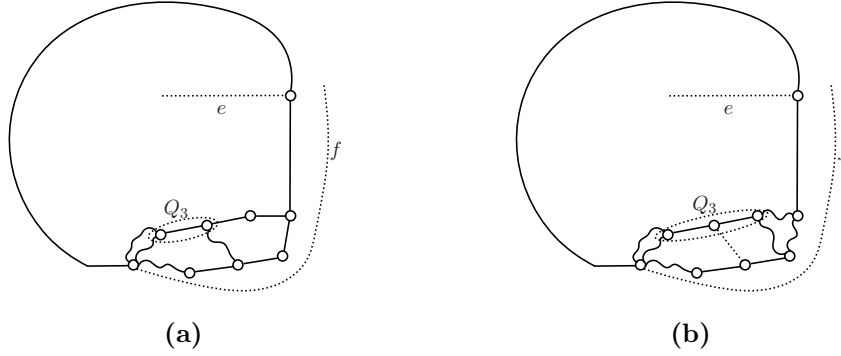
$$\alpha \geq \frac{|F'|}{OPT(G')} \geq \frac{|F'| + 1}{OPT(G') + 1} \geq \frac{|F|}{OPT(G)}.$$

Thus, it suffices to argue  $\frac{|F'|}{OPT(G')} \leq \alpha$ , with the assumption that there is no such  $e$ .

We now extend this argument to the other cases.



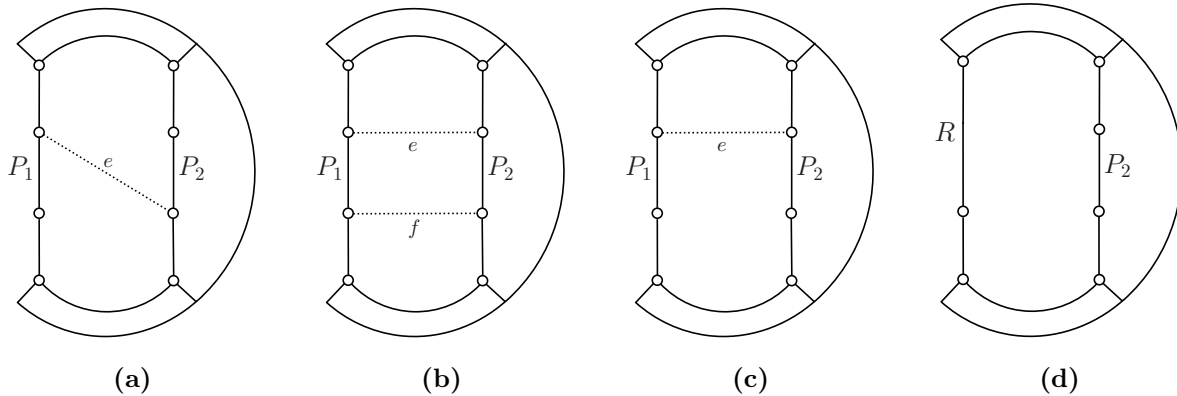
**Figure 5:** Contradictions to the existence of a critical edge in an optimal solution via improvement operation of Type III: Two 2-segments with end vertices distinct



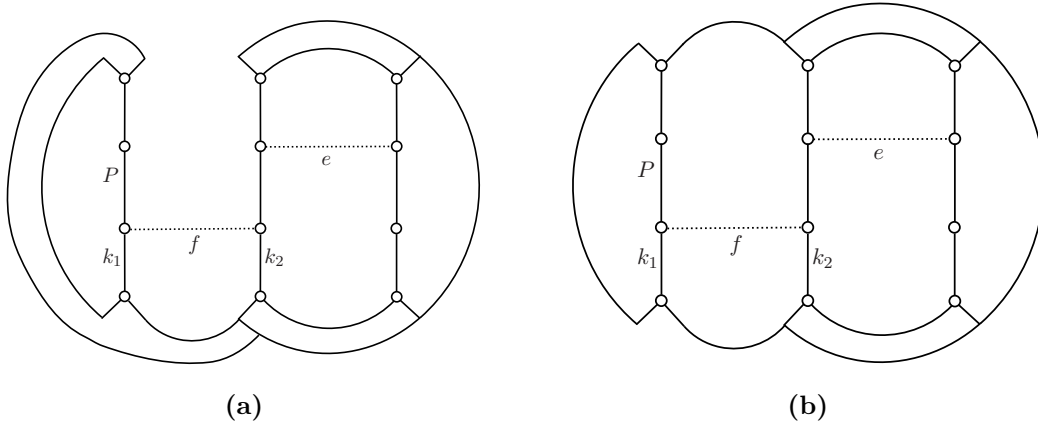
**Figure 6:** The newly introduced trivial segment is not removed by an improvement operation of Type III

**Case 2:  $P_1$  is a 2-segment,  $P_2$  is a 3-segment** In this case the argument above works for the subcase in which the end vertices of  $P_1$  and  $P_2$  are identical. Either an improvement operation of Type I or Type II derives a contradiction (See Figure 3 again). If the end vertices of  $P_1$  and  $P_2$  are distinct, we consider Case 3, which subsumes this case.

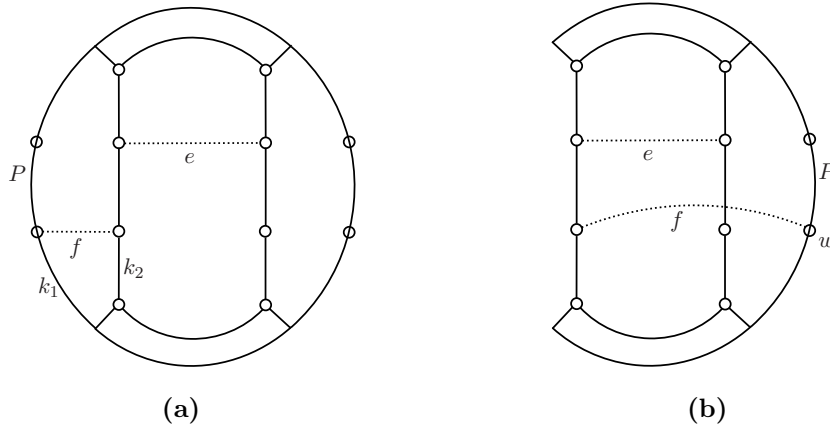
**Case 3:  $P_1$  and  $P_2$  are both 3-segments** We assume that the end vertices of  $P_1$  and  $P_2$  are distinct, as the foregoing argument also works for the case in which they are identical. If  $e$  is as shown in Figure 7a, we can replace at least one of the 3-segments with a trivial segment, which cannot be redundant. Otherwise,  $e$  would have been included into the solution by an improvement operation of Type I, creating a 5-segment. The same holds for the case in Figure 7b, this time via an improvement operation of Type II, taking  $e$  and  $f$  into the solution, again creating a 5-segment. If  $e$  is non-redundant by the end of the first while loop, then we run the same argument we have used for Case 1, which is depicted in Figure 5 and Figure 6. There remains the case shown in Figure 7c. In this case we delete one of the end vertices of  $e$  from  $G$ , and replace only the two edges incident to that vertex by a single edge in  $F$ , thereby replacing  $P_1$  or  $P_2$  by a 2-segment  $R$  and getting rid of  $e$  (See Figure 7d). One finally needs to ensure that the internal vertex of  $R$  is not incident to another critical edge, which is shown in Figure 8 and Figure 9. Here we naturally assume that this hypothetical critical edge  $f$  is incident to an internal vertex of another short segment  $P$ , which cannot be replaced by a non-redundant trivial segment. We also assume



**Figure 7:** Contradictions to the existence of a critical edge in an optimal solution: Two 3-segments



**Figure 8:** Contradictions to the existence of a critical edge in an optimal solution



**Figure 9:** Contradiction to the existence of a critical edge in an optimal solution

without loss of generality that  $P$  is a 3-segment. The configurations in Figure 8a, Figure 8b, and Figure 9a contradict an improvement operation of Type I on  $f$ , where  $k_1$  and  $k_2$  are deleted. There remains the configuration in Figure 9b, where we disregard the case contradicting an improvement operation of Type I. This implies that  $f$  is incident to a vertex  $w$  of  $P$  as shown. In this case however, we can use the argument of deleting  $w$  to replace  $P$  with a 2-segment, as we did in Case 1b. Thus, we may assume there is no such  $f$ .

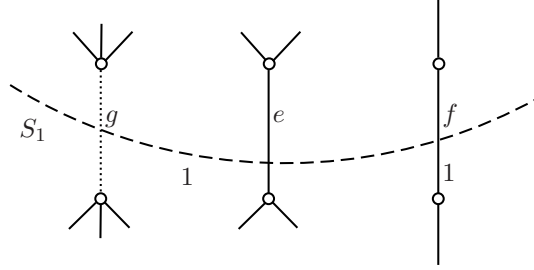
Notice that if we replace a 3-segment with a trivial segment on  $F$  and  $G$ , we have  $OPT(G) \geq OPT(G') + 2$ . Note also that  $|F| = |F'| + 2$ . So  $\frac{|F'|}{OPT(G')} \leq \alpha$  implies

$$\alpha \geq \frac{|F'|}{OPT(G')} \geq \frac{|F'| + 2}{OPT(G') + 2} \geq \frac{|F|}{OPT(G)}.$$

Thus again, it suffices to argue  $\frac{|F'|}{OPT(G')} \leq \alpha$ . This completes the proof.  $\square$

**Theorem 3.** *Algorithm 1 is a  $\frac{4}{3}$ -approximation algorithm for 2-ECSS.*

*Proof.* Remove all the long segments from  $F$  to obtain  $F'$ . Remove the inner vertices of all the long segments together with all the incident edges from the input graph  $G$  one by one to obtain  $G'$ . If the residual graph loses 2-edge-connectivity at any step, add a new edge between the end vertices of the removed segment. Denote the value of an optimal solution on these graphs by  $OPT(G)$  and



**Figure 10:** The dual assignment optimally covering a trivial segment

$OPT(G')$ , respectively. Note that for an  $\ell$ -segment in  $G$ , there exist in any optimal solution at least  $\ell - 1$  edges incident to the inner vertices of the segment. In particular, if  $G$  and  $G'$  differ only by a 4-segment, we have  $OPT(G) \geq OPT(G') + 3$ . In this case supposing  $\frac{|F'|}{OPT(G')} \leq \frac{4}{3}$ , we obtain

$$\frac{4}{3} \geq \frac{|F'| + 4}{OPT(G') + 3} \geq \frac{|F'| + 4}{OPT(G)} = \frac{|F|}{OPT(G)}.$$

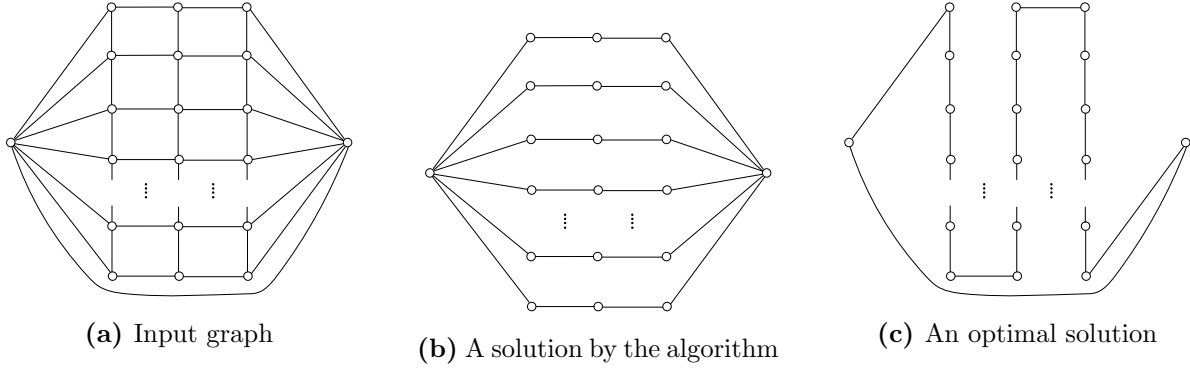
Since  $\ell \geq 4$  for the removed segments, it thus suffices to show  $\frac{|F'|}{OPT(G')} \leq \frac{4}{3}$ .

We only have the short segments and the trivial segments in  $F'$  on which we describe a feasible dual solution whose total value is equal to  $|F'|$ , thus establishing  $|F'| = OPT(G')$ . Let the dual values of all the singleton high-degree vertices be 0. Given this, assign the  $y_S$  dual value 1 to the inner vertices of short segments. For a 3-segment assign the  $z_e$  dual value 1 to the middle edge of the segment. Note that this assignment is feasible: By Lemma 2, we may assume that there exists an optimal solution on  $G'$ , which does not contain any critical edge, so that we do not have to define a positive  $z_e$  value to any other edge. The value of the assignment is 2 for a 2-segment, and  $2 + 2 - 1 = 3$  for a 3-segment, optimally covering the cost of the segments.

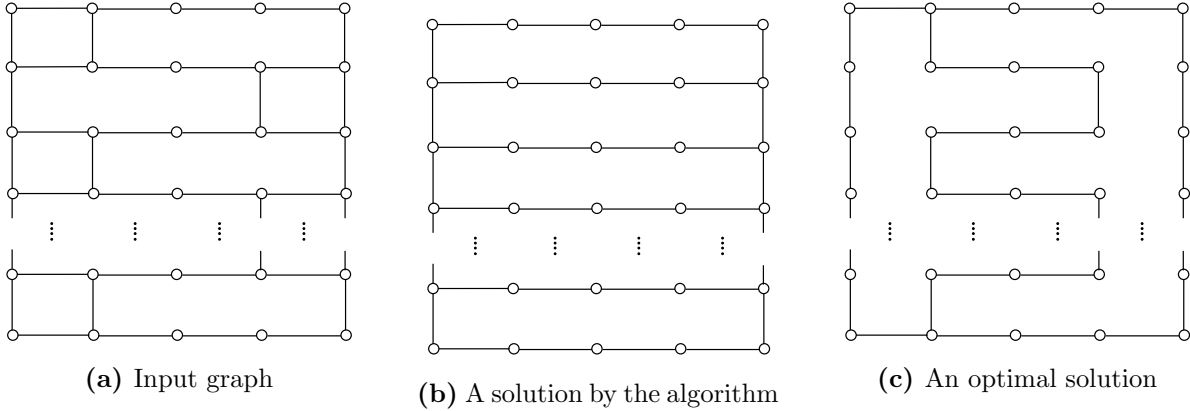
We finish the proof by showing that the trivial segments are also optimally covered. Let  $P$  be a trivial segment on  $F$  with the edge  $e$ . Then there exists a cut  $S_1$  and another edge  $f \in F$  such that  $\delta(S_1) \cap F = \{e, f\}$ . Otherwise,  $e$  becomes redundant, and must have been deleted in a deletion operation. Assume without loss of generality that there exists an edge  $g \in \delta(S) \cap (E \setminus F)$ , for any cut  $S$  with  $e \in \delta(S)$  and  $|\delta(S) \cap F| = 2$ . By Lemma 2, we may also assume that  $g$  is not a critical edge, hence between high-degree vertices. Assume there is another trivial segment with the edge  $e'$  such that any cut  $S_2$  with  $e' \in \delta(S_2)$  and  $|\delta(S_2) \cap F| = 2$  contains  $g$ . Then we have a contradiction to the improvement operation of Type III, which would include  $g$  into the solution, and exclude  $e$  and  $e'$ , thus creating a cheaper feasible solution. This implies that there is no such trivial segment. Assign  $y_{S_1} = 1$ , and increase the value of  $z_f$  by 1 to maintain feasibility. Note that  $z_g = 0$  is also feasible, since  $g$  is between high-degree vertices, and by the remark above there is no other cut  $S_2$  via which we have to increase  $z_g$  (See Figure 10 for an illustration). The total dual value we have created is thus  $2 - 1 = 1$ , optimally covering  $P$ . Finally, if  $f$  is the edge of another trivial segment, we do not have to increase  $z_f$  by 1, so that the total dual value of 2 covers  $P$  and the trivial segment containing  $f$  optimally. This completes the proof.  $\square$

**Theorem 4.** *Algorithm 1 is a  $\frac{6}{5}$ -approximation algorithm for 2-ECSS on subcubic graphs.*

*Proof.* We observe that the extra structure imposed by a subcubic graph forces an optimal solution to take more edges. As a more explicit description of what we have used in the proof of Theorem 3, we think of every vertex “covering” half of the edges incident to the vertex. Remove all the edges



**Figure 11:** A tight example for the algorithm



**Figure 12:** A tight example for the algorithm on subcubic graphs

covered by the inner vertices and the end vertices of long segments from  $F$  to obtain  $F'$ . Remove the inner vertices and the end vertices of all the long segments together with all the incident edges from the input graph  $G$  one by one to obtain  $G'$ . If the residual graph loses 2-edge-connectivity at any step, add minimum number of edges between the remaining vertices to maintain it. For a removed  $\ell$ -segment in a subcubic graph  $G$ , there exist in any optimal solution at least  $\ell + 1$  edges corresponding to that segment, since the end vertices of the segment are degree-3 vertices on  $G$ , and any feasible solution has to take at least 2 of them. The removed vertices of the segment cover  $\ell + 2$  edges in  $F'$ . Since  $\ell \geq 4$  for the removed segments, it suffices to show  $\frac{|F'|}{OPT(G')} \leq \frac{6}{5}$ , which implies  $\frac{|F|}{OPT(G)} \leq \frac{6}{5}$  by the same argument as in the proof of Theorem 3. The rest of the proof is identical to the proof of Theorem 3.  $\square$

## 5 Tight Examples

A tight example for the algorithm on general graphs is shown in Figure 11. The algorithm returns a set of  $k$  4-segments with a total cost of  $4k$ . The optimal solution consists of the Hamiltonian cycle of cost  $3k + 2$ . A tight example for subcubic graphs is given in Figure 12. The solution returned by the algorithm consists of 2 6-segments,  $k$  4-segments, and  $2k - 2$  trivial segments, with a total cost of  $6k + 10$ . The cost of the optimal solution is  $5k + 11$ .

## Acknowledgment

We would like to thank Yuginq Ai for pointing out the error in the initial manuscript. We thank Christoph Hunkenschröder and Jens Vygen for giving information about the status of 2-ECSS. We also thank the anonymous reviewers whose comments and corrections helped us tremendously improve the presentation.

## References

- [1] S. C. Boyd, Y. Fu, and Y. Sun. A  $5/4$ -approximation for subcubic 2EC using circulations and obliged edges. *Discrete Applied Mathematics*, 209:48–58, 2016.
- [2] J. Cheriyan, A. Sebö, and Z. Szigeti. Improving on the  $1.5$ -approximation of a smallest 2-edge connected spanning subgraph. *SIAM J. Discrete Math.*, 14(2):170–180, 2001.
- [3] B. Csaba, M. Karpinski, and P. Krysta. Approximability of dense and sparse instances of minimum 2-connectivity, TSP and path problems. In *Proceedings of the Thirteenth Annual ACM-SIAM Symposium on Discrete Algorithms (SODA)*, pages 74–83, 2002.
- [4] C. Hunkenschröder, S. Vempala, and A. Vetta. A  $4/3$ -approximation algorithm for the minimum 2-edge connected subgraph problem. *ACM Trans. Algorithms*, 15(4):55:1–55:28, 2019.
- [5] R. Jothi, B. Raghavachari, and S. Varadarajan. A  $5/4$ -approximation algorithm for minimum 2-edge-connectivity. In *Proceedings of the Fourteenth Annual ACM-SIAM Symposium on Discrete Algorithms (SODA)*, pages 725–734, 2003.
- [6] S. Khuller and U. Vishkin. Biconnectivity approximations and graph carvings. *J. ACM*, 41(2):214–235, 1994.
- [7] P. Krysta and V. S. A. Kumar. Approximation algorithms for minimum size 2-connectivity problems. In *18th Annual Symposium on Theoretical Aspects of Computer Science (STACS)*, pages 431–442, 2001.
- [8] A. Sebö and J. Vygen. Shorter tours by nicer ears:  $7/5$ -approximation for the graph-TSP,  $3/2$  for the path version, and  $4/3$  for two-edge-connected subgraphs. *Combinatorica*, 34(5):597–629, 2014.
- [9] S. Vempala and A. Vetta. Factor  $4/3$  approximations for minimum 2-connected subgraphs. In *Approximation Algorithms for Combinatorial Optimization, Third International Workshop (APPROX)*, pages 262–273, 2000.